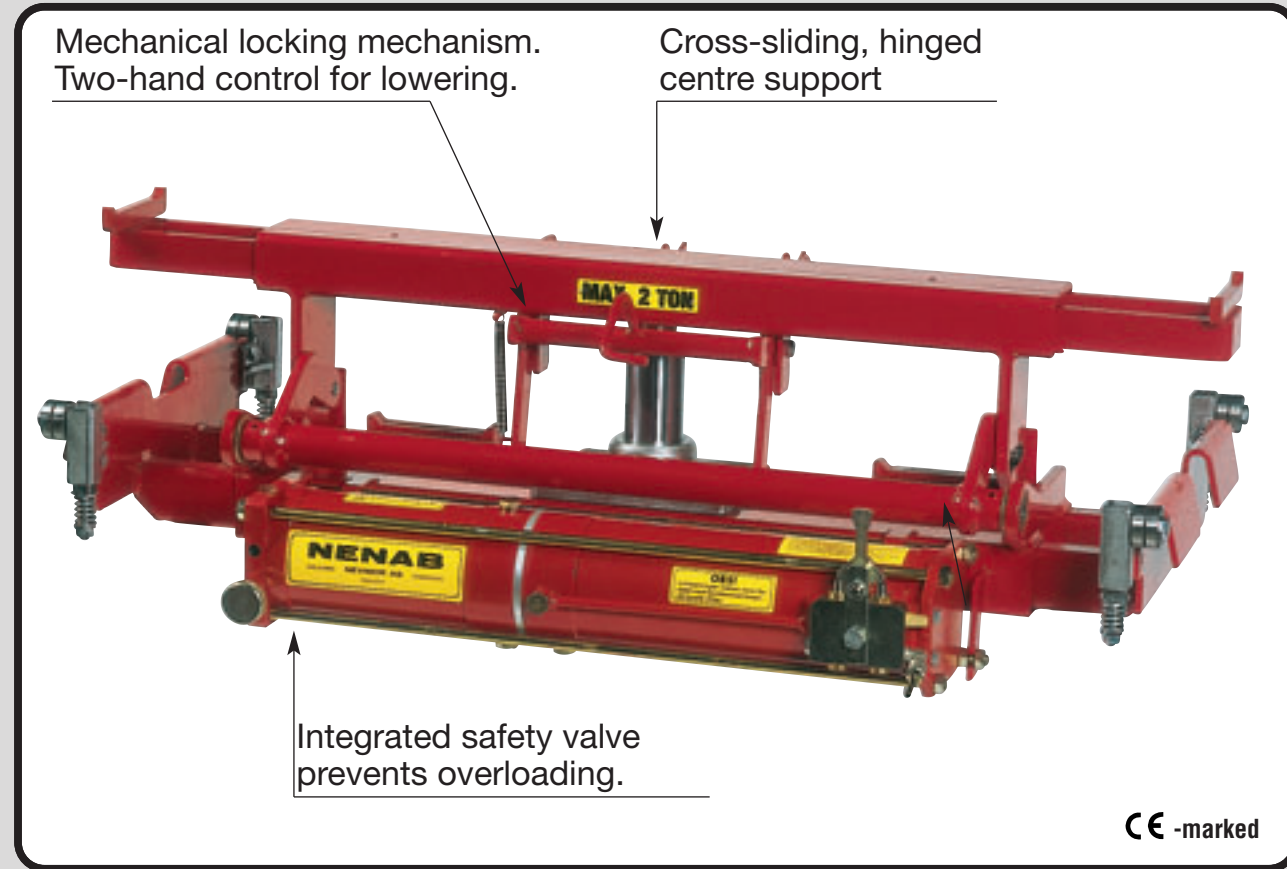


NENAB®

NENAB jacking beam type FLH-7/2 is designed for use on four column lifts or over inspection pits.



The jack is designed to be used to jack up cars in connection with inspection and repair of wheel suspensions, steering mechanisms, wheel bearings and tyres, etc.

The jack is pneumatically and hydraulically operated, which provides the maximum operational reliability and high durability.

The air cylinder is completely hydraulically actuated, which produces smooth, safe lifting and return motion.

The horizontally controlled lifting yoke provides stable, well balanced lifting, which increases safety and makes working easier.

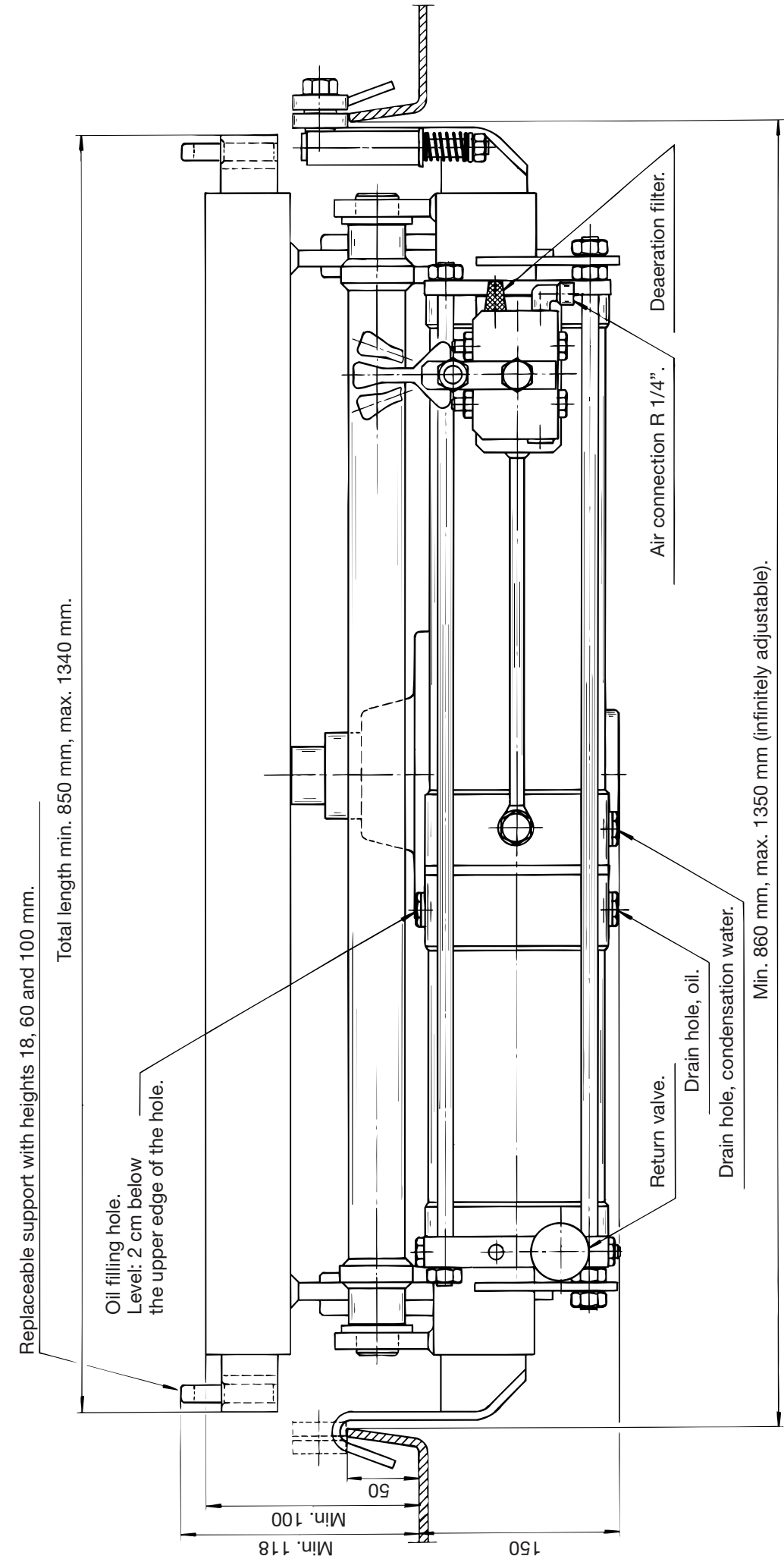
Lifting power 2 tonnes at 7 bar. See overleaf for the main dimensions.

Manufacturer: Ing.firma NEVINOR AB, Box 311, 811 23 SANDVIKEN, Sweden
Tel. +46 26 25 07 30. Fax +46 26 25 88 25

NENAB®

A guarantee of high quality and practicality.

**Lifting power 2 tonnes at 7 bar.
Lifting motion 200 mm (telescopic lifting cylinder).**



The figure shows the jack's main dimensions.