



SMART LIFT

Spindel Two-post Lifts

2.30 SL

2.40 SL

2.32 SL

2.40 SL MM

2.32 SL MM

2.50 SL II

SMART LIFT

Spindel 2-post lifts: safety, multifunctional and persistent



The robust construction of SMART LIFT, as well as its fully developed technique are the results of more than 10.000 units produced in one year and about 30 years experiences in lifts production.

Both low wear Nylatron-nuts convince through their long-life cycle and silent operation. Moreover, the resistant Poly-V-belt assumes transmission with the roller tempered spindle. NUSSBAUM gives 5 years warranty to the spindle-system.

The solid arms are flat constructed and can lift vehicles with lowest pick-up points. Lifting of a widest range of vehicles from small passenger cars to commercial vehicles. Short carrying arms can be turned by 180° and along with the true asymmetrical carriage, the car's doors can be completely opened.

An electronic system guarantees silence and synchronization by lifting and lowering. No need of mechanical top connection. Both columns can be connected together with height adjustable simple top connection.

2 high-performing motors are perfectly integrated in the slim columns. The lift has no floor connection. A LED-display is integrated in the columns for simple and safe operation, also for service purposes.

- 1 Long-life cycle nylatron-nut: 5 years guarantee
- 2 Resistant Poly-V-belt
- 3 SMART LIFT 2.35 SL
- 4 MINI MAX
- 5 Door-free opening through asymmetric lifting arms
- 6 For very low pick-up points
- 7 SMART LIFT 2.30 SL



2.30 SL, 2.32 SL, 2.35 SL & MINI MAX

Reliability for workshop

The 2.30 SL, 2.32 SL and 2.35 SL are the universal lifts for passenger car with lifting capacity from 3.000kg, 3.200kg and 3.500kg.

SMART LIFT 2.30 SL, 2.32 SL & 2.35 SL – clear and cut

- Electronic synchronization system
- Vehicles's door can be opened completely
- Low wear Nylatron-nut
- 5 years warranty on spindle and spindle-nut
- Resistant Poly-V belt
- Silent operation
- Two motors integrated into columns, no connection on floor
- Single or 2-times telescopic lifting arms with low lifting point, swivelling 180°
- Complete quality control at all stages



3

Versions of 2.30 SL & 2.32 SL

The 2.30 SL and 2.32 SL MB/BMW with their special carrying arms (480–870 mm) are optimized.

The 2.32 SL T with 2-times telescopic and asymmetrical lifting arms (580–1.170 mm) lifts commercial vehicles, for example VW T5 long version.

2.30 SL MM & 2.32 SL MM – the 2-post lift with MINI MAX arms with a special low pick-up point, for easy and convenient to lift lowered vehicles and for cars with pressed side skirts



4



5



6



7

2.40 SL

The universal lift



With the 2.40 SL with lifting capacity of 4.000kg enables to lift a wide range of vehicle from passenger cars to vans.

Like its smaller sibling, convinces the 2.40 SL with...

- Electronic synchronization system
- Vehicles's door can be opened completely
- Low wear Nylatron-nut
- 5 years warranty on spindle and spindle-nut
- Resistant Poly-V belt
- Silent operation
- Two motors integrated into the columns, no connection on the floor
- Single or 2-times telescopic lifting arms with low lifting point, swivelling 180°

Version: 2.40 SL MM

The MINI MAX is a height adjustable lifting adapter, which is particularly suitable for lifting vehicles with higher and hidden pick up points.

- An enormous adjustment area of 75–185mm (2.32 SL) or 85–190mm (2.40 SL)
- Multi-level fast adjustable with the foot.

- 1 SMART LIFT 2.40 SL lifts passenger cars and vans.
- 2 You are flexible with the large assortment of height adapters and turntables for commercial cans and off-road vehicles
- 3 Door-free opening through asymmetric lifting arms
- 4 SMART LIFT 2.50 SL II optional with double-jointed arms and Standard 2-times telescopic lifting arms
- 5 Double-jointed arms
- 6 Standard 2-times telescopic lifting arms
- 7 SMART LIFT 2.50 SL II



NEW

2.50 SL II

Flexibility for workshops for commercial vans

Ever-longer wheelbase, higher and higher payloads and the constructions of camp mobile lead the workshops to their limits ...



With the 2.50 SL II, NUSSBAUM offers a flexible lift for picking-up from small passenger car up to commercial van.

Replace lifting arms depending on the application!

The changable lifting arms provide the maximum flexibility:

- two times telescopic, symmetric lifting arm
- Double-jointed arms

Standard lifting arm

The two times telescopic lifting arms are roller beared and easy for positioning. The exchange system simplifies replacement of turntables. They are suitable specially for lifting of large transporter, e.g. VW KT, MB Sprinter.

Double-jointed arms

The double-jointed arms are flat constructed. Thanks to their enormous swivel rang, they can trouble-free lift a wide range of vehicles from passenger car up to commercial van with optional height adapters.

SMART LIFT

The perfect accessory for every application

| | | 2.30 SL | 2.32 SL | 2.35 SL | 2.40 SL | 2.50 SL | 2.50 SL DG | | | 2.30 SL | 2.32 SL | 2.35 SL | 2.40 SL | 2.50 SL | 2.50 SL DG |
|---|--|---------|---------|---------|---------|---------|------------|---|---|---------|---------|---------|---------|---------|------------|
|  | 225SL08300 · Height adapter for the universal application · fixed 44mm · ø 120mm · set = 4 units | • | • | • | • | | |  | 232HEL48081 · Fixed height adapters for the universal application · fixed 151mm · ø120mm · set = 4 units | • | • | • | • | | |
|  | Adjustable height adapters for universal application with ø 120mm 232SEL48593 · 150–230mm 232SEL48530 · 190–240mm 232SEL48560 · 240–335mm | • | • | • | • | • | |  | Height adapter with U-profile for commercial vans at vehicle's frames – the U-Profile locks the vehicle · set = 4 units 232SL08850 · adjustable height adapter 150–230mm | | • | • | • | • | |
|  | 232SL08840 · Adapter for frame adjustable for offroad vehicles and commercial vans | • | • | • | • | • | |  | Vehicle's frames – the U-Profile locks the vehicle · set = 4 units 250SL081305 · adjustable 184–278mm | | | | | | • |
|  | 232SL08610 · Height adapter for MB offroads GW 460/463 with footboard · fixed 145mm · set = 4 units | • | • | • | • | | |  | 232SEL48258 · Height adapter with prisms adapter, special for MB100 and similar use · fixed 145mm · set = 4 units | • | • | • | • | | |
|  | Adjustable height adapter for the universal application with ø120mm · set = 4 units 235TTKAS08501 · 115–220mm 235TTKAS08809 · 231–335mm | | | | | | • |  | 250HDL28063 · Fixed height adapter for decreasing of lowest lifting point of approx. 15cm · ø120mm · set = 4 units | | | | | | • |
|  | 235TTKAS08873 · Height adapters for MB offroad vehicles GW 460/ 463 · adjustable 160–275mm · set = 4 units | | | | | | • |  | 235TTKAS08570 · Height adapters for Sprinter (NCV3) with positioning pin for front pick-up point, adjustable 230–335 mm, set = 2 units | | | | | | • |
|  | 235TTKAS08837 · Height adapters for MB 100, adjustable 150–255 mm, set = 4 units | | | | | | • |  | 235TTKAS08850 · Height adapters for Sprinter (NCV3) with prism for rear pick-up point, adjustable 225–330 mm, set = 2 units | | | | | | • |
| Height adapters for Ford Mondeo ST 220, set = 2 units | | | | | | | | | | • | • | • | • | | |
| Safety adapter for MB vehicles with car jack „in sillboard“ | | | | | | | | | | • | • | • | • | | |
| Safety adapters for A-class – it is installed in cross-direction underneath the A-class. It secures the car from lifting, whenever motor, or gear box or body parts are disassembled. | | | | | | | | | | • | • | • | • | | |
| Safety adapters for W203 – will be in transverse direction installed under A-class. Prevent tilting of the vehicle, during dismounting of i.e. motor or axle gear | | | | | | | | | | • | • | • | • | | |
| Safety belt for MB 100/ GW/ Sprinter | | | | | | | | | | • | • | • | • | • | • |
| Hour counter with air connector integrated in main column – excludes energy set in main column | | | | | | | | | | • | • | • | • | | |



- 1 Energy-set and pneumatic tool support, fixed to the column
- 2 Galvanized screw tray
- 3 Safety adapter for A-class

| | 2.30 SL | 2.32 SL | 2.35 SL | 2.40 SL | 2.50 SL | 2.50 SL DG |
|--|---------|---------|---------|---------|---------|------------|
| Integrated control unit in opposite column (comfort control unit – retrofit after delivery not possible) | • | • | • | • | | |
| Energy set I integrated in the main column (230 V and air supply) | • | • | • | • | • | • |
| Energy set II integrated in the opposite column (230 V and air supply) | • | • | • | • | | |
| Energy set – screwed on the column (230 V / 400 V and 2 x air connectors) | | | | | • | • |
| Energy set III integrated in the opposite column (1 x 230 V 1 x air supply additional 1 x 400 V) | • | • | • | • | | |
| Door deflector (to fix on the column) | • | • | | | | |
| Pneumatic tool support screwed on column | • | • | • | • | • | • |
| Pneumatic hose support, 1 unit | • | • | • | • | • | • |
| Screw tray galvanized, set = 2 units | • | • | • | • | • | • |
| Special colour with RAL-Colour unicolour | • | • | • | • | • | • |

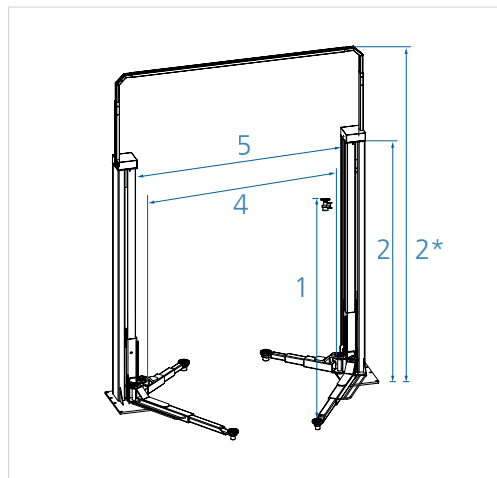
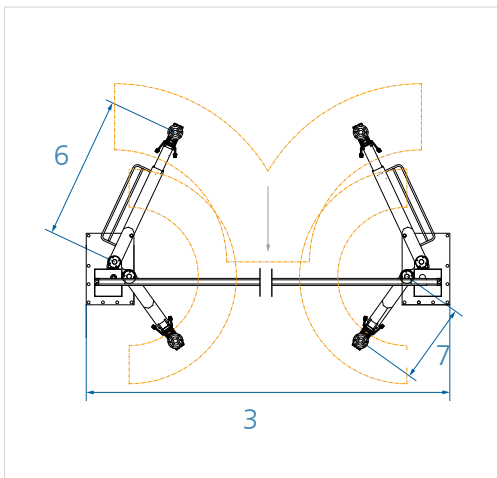
MINI-MAX – The comfortable workshop assistant



The MINI-MAX is a height adjustable turntable, which appropriates to lift vehicles with low clearance, as well as, for deep-drawn side skirt and off-road vehicles. The MINI-MAX with quick adjustment of turntable has an enormous adjustable range of 75–185 mm as the case may be 85–190 mm. The quick adjustment works with vertical excavation. Multi-level grid quick adjustment through pedal guarantees reliable and comfortable positioning of lifting arms.

Technical Data

| SMART LIFT | 2.30 SL | 2.32 SL | 2.35 SL | 2.40 SL | 2.50 SL II Standard | 2.50 SL II DG |
|--|-----------------------|-----------------------|-------------------|------------------------|---------------------|---------------|
| Lifting capacity (kg) | 3000 | 3200 | 3500 | 4000 | 5000 | |
| Lifting / Lowering time approx. (sec) | 40 / 40 | 40 / 40 | 46 / 40 | 46 / 40 | 48 / 40 | |
| 1 Lifting height (mm) | 2010 | 2010 | 2060 | 2060 | 2050 | |
| Lowest lifting point (mm) Version: MINI-MAX | 95-140 71-185 | 95-140 71-185 | 115-190 | 115-190 75-185 | 115-190 | 115 |
| 2 Total height column (mm) Total height top connection (mm) | 2890 3720-4120 | 2890 3720-4120 | 2890 3685-4170 | 2890 3685-4170 | 2835 3620-5100 | |
| 3 Total width (mm) | 3000 | 3050 | 3350 | 3350 | 3750 | 3500 |
| 4 Drive-through width (mm) | 2230 | 2240 | 2514 | 2514 | 2840 | 2590 |
| 5 Distance between columns (mm) | 2460 | 2470 | 2770 | 2770 | 3170 | 2920 |
| 6 Long arms extraction (mm) Version: MINI-MAX | 940-1495 1000-1545 | 940-1495 1000-1480 | 1130-1840 | 1130-1840 1130-1840 | 890-1916 | 0-1789 |
| 7 Short arm extraction (mm) Version: MINI-MAX | 590-900 560-1030 | 580-900 600-980 | 570-1160 | 570-1160 630-1065 | 890-1916 | 0-1789 |
| Motor (kW) | 2 x 1,5 | 2 x 1,5 | 2 x 1,5 | 2 x 1,5 | 2 x 1,5 | 2 x 1,5 |
| Power supply (V/Hz) | 400 / 50 | 400 / 50 | 400 / 50 | 400 / 50 | 400 / 50 | 400 / 50 |



Contact:

